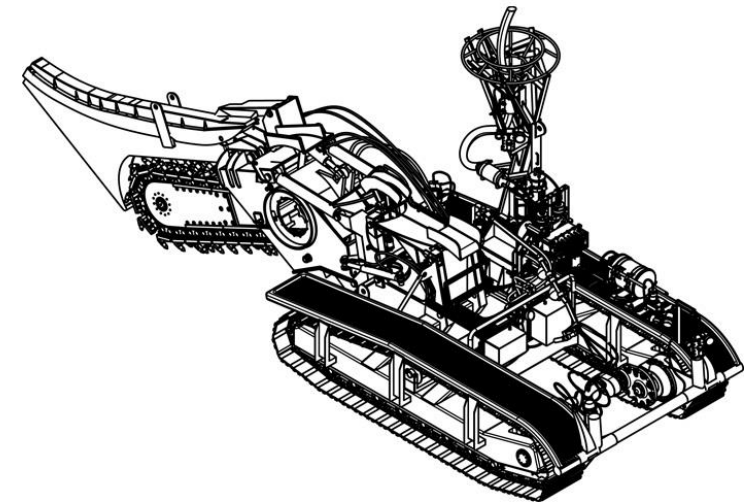


ASSOTRENCHER V

Its robust structure is specially designed so as to work in conditions where ROV-based, jetting systems are unable to perform. Along with its support barge it can reach remote shallow water areas without the need for further support or propulsion.

The AssoTrencher V is compact and very versatile and with the combination of various trenching tools such as cutting chains/wheels, excavation under difficult conditions is made possible without compromising the safety of the cable system. Equipped with the cutting wheel trenching through rocky or extreme hardness soils is feasible, even in uneven territories.

AssoTrencher V uses high end technology to show the operator and record all crucial information necessary to accumulate the condition of the vehicle and the cable. Crucial data is recorded in real-time, including images from cameras, profiling and scanning sonars.



VARIOUS SOIL/MECHANICAL TRENCHER

AssoTrencher V, the oldest member of the "AssoTrencher" series of underwater trenching vehicles, is designed to meet the needs of the underwater power and telecommunication industries, providing reliable solutions in trenching operations.

ASSOTRENCHER V

SPECIFICATIONS

Dimensions

Length:	4.00 m
Breadth:	4.00 m
Height:	3.25 m
Weight:	12,000 kg
Depth rating:	200m

Cutting Wheel

Used in hard soils (rock, hard clay)	
Diameter:	2.05 m
Weight:	4,000 kg
Burial depth:	1.00 m – 1.25 m

Rocksaw

Used in mix soils (gravel, stones)	
Weight:	5,000.00 kg
Burial depth:	1.80 m – 2.00 m max.

Chainsaw

Used in soft soils (sand, loose soils)	
Weight:	2,500.00 kg
Burial depth:	2.50 m

Ejector

Used in various soil conditions as a suction tool for trench cleaning. With variable nozzle diameter depending upon trench width. Can be combined with the cutting wheel to provide best trenching results.

Sensor equipment

- Simrad/Mesotech scanning sonar
- Simrad/Mesotech profiling sonar
- Four (4) low light underwater cameras
- Four (4) underwater lights
- Simrad Transponder/Responder
- Pressure monitoring system
- Pan-Tilt Sensors
- Temperature & Depth sensors
- TSS 350 Cable Tracker (option)

Power unit

- 550HP IVECO AIFO 8281SRN50 diesel engine driving variable and fixed flow pump units
- 15kW IVECO AIFO 3-phase generator

Support barge

Power units and control cabinet are installed on a small floating barge. The barge travels towed from the vehicle thus eliminating the need for long umbilical and Tether Management System (TMS).

The control room includes controls, monitors (video and VGA), recording devices and powering arrangements. Monitoring of the vehicle and recording is done from PC based software with graphic user-friendly display.

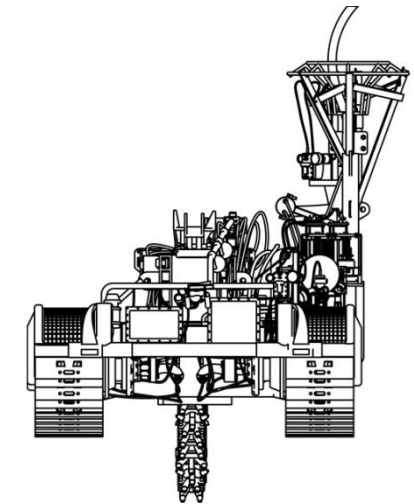
Back-up systems are also installed for handling emergency situations. A portable control box is also available to be installed in any container room.

The support barge has the capability of self-propulsion with use of four propellers if needed.

Umbilical

Consisting of high pressure hydraulic lines, multiplexed data and power cables.

150.00 and 50.00 m in length for shallow water trenching operations.



The specification details are illustrative for marketing purposes only actual equipment may be different as a result of product improvement or other reasons. Specific interface and performance information should be reconfirmed at time of order placement.

Memberships & Accreditations



Assodivers Ltd

69 Okeanidon str. & 38
Charilaou Trikoupi str.
Elefsina, GR 19200,
Greece

Tel: (+30) 210 4527050
Fax: (+30) 210 4527053

central@assodivers.gr

www.assodivers.gr