

HYDROFLOW

The Hydroflow has water ballast skids that may act as floatation aid in case of need. This ballasting capability incorporated with the fact the water stingers powered from powerful surface water pumps, create a formidable vehicle.

This vehicle is designed to bury almost all kinds of flexible products including umbilicals, power & telecommunication cables, flowlines and various flexible pipelines.

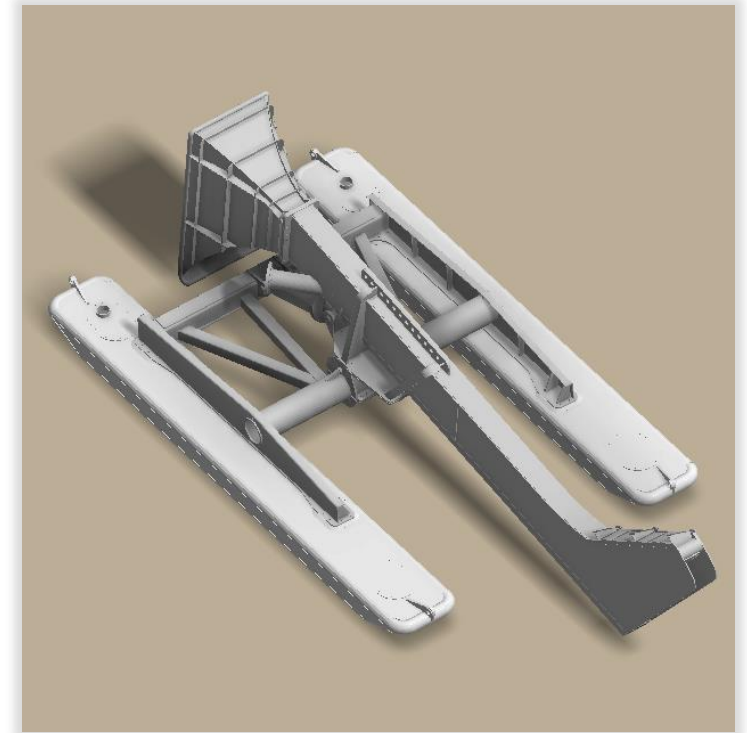
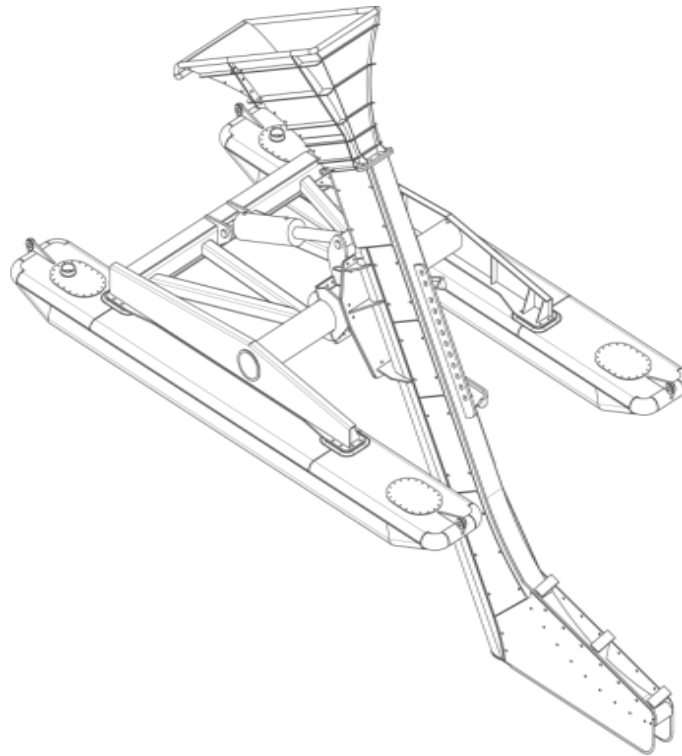
The Hydroflow vehicle was upgraded in 2012 in order to allow cable loading and unloading to be executed without the need of divers. The benefit of this system is that cable loading and unloading is independent, up to a certain limit, of weather conditions and can be established at high water depths. Loading and unloading operation of the cable is always monitored from surveillance ROV to ensure that the cable is positioned safely and secured in the stinger.

The Hydroflow is supplied with a powerful water jetting system, which supplies high pressurized water to the cutting nozzles of the stingers from a water pump positioned on the tow support vessel. The benefit of this system is erosion of the soil constitution which results low tow forces and increase in burial performance.

The latest versions of control, graphical displays and pilot aids are used in the Assodivers

Hydroflow system in order to control and operate accurately the plough system during jetting operation.

Fitted with the latest comprehensive instrumentation and surveillance electronic systems the Hydroflow vehicle provides real time data and image information continuously during burial operation.



SOFT SOIL TRENCHER

Assodivers Hydroflow is a lightweight plow vehicle that is intended for use in tandem with a CLV (Cable Lay Vessel) for SLB (Simultaneous Laying and Burial). Its heave compensated tow system is designed in such a way so as to operate safely and thriftily in cohesive soil constitution with high shear strength and in severe weather conditions.

SPECIFICATIONS

Length:	7.4 m
Length (O.A):	9.4 m (with stinger retracted)
Width:	4.4 m
Height:	2.5 m (with stinger retracted)
Weight in air:	13 Te
Weight in water:	approx. 9 Te

BURIAL

Burial Speed:	0.1–1 Km/h (depending on soil stiffness)
Burial Depth:	up to 3.0 m
Keel Depth:	2.8 m
Trench Width:	0.40 m
Seabed Type:	Up to 100kPa shear strength
Water Jetting System:	Surface water supply/up to 1200m ³ /h @ 16bar

TOWING

Max. Bollard Pull:	25 Te
Average Bollard Pull:	5–12 Te (depending on soil stiffness)

STRUCTURE

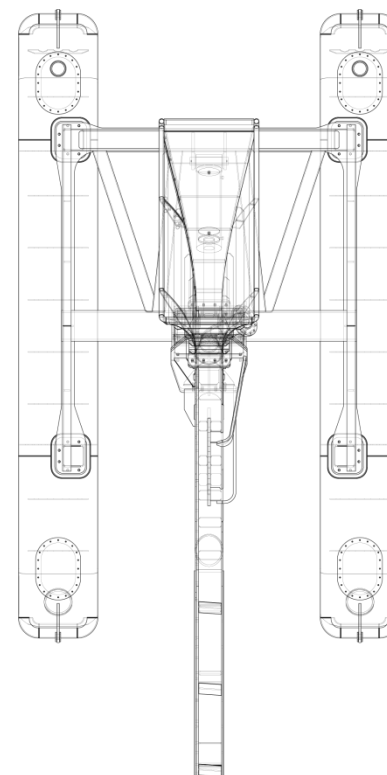
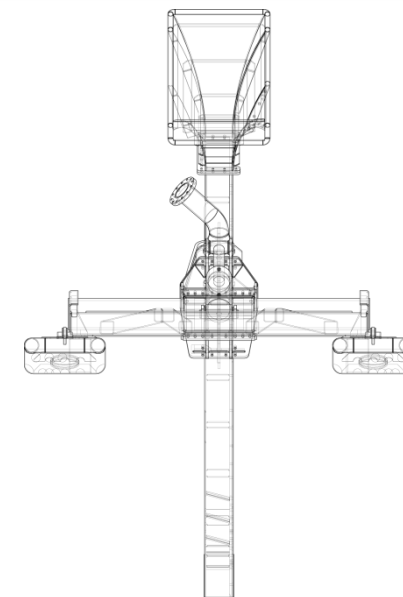
Material:	Fabricated from high strength steel S355
-----------	--

SURVEILLANCE

Electronic equipment:	
	4 x Assodivers color camera
	4 x Bowtech LED lights
	1 x Kongsberg pan/tilt
	1 x CDL Insense motion sensor
	1 x Kongsberg imaging sonar
	1 x Kongsberg profiler sonar
	1 x Kongsberg altimeter

CONTROL SYSTEM

Ergonomic control console
5 x 19" screens
4 x 15" screens
DVR Surveillance System
Client information broadcasting
Continuous monitoring & alarming of all crucial & pertinent information
Integration with CLV information database for global data publication



The specification details are illustrative for marketing purposes only. Actual equipment may be different as a result of product improvement or other reasons. Specific interface and performance information should be reconfirmed at time of order placement. Specifications are subject to change without any prior notification.

Memberships & Accreditations



Assodivers Ltd

69 Okeanidon str. & 38
Charilaou Trikoupi str.
Elefsina, GR 19200,
Greece

Tel: (+30) 210 4527050
Fax: (+30) 210 4527053

central@assodivers.gr

www.assodivers.gr